

ALMA™

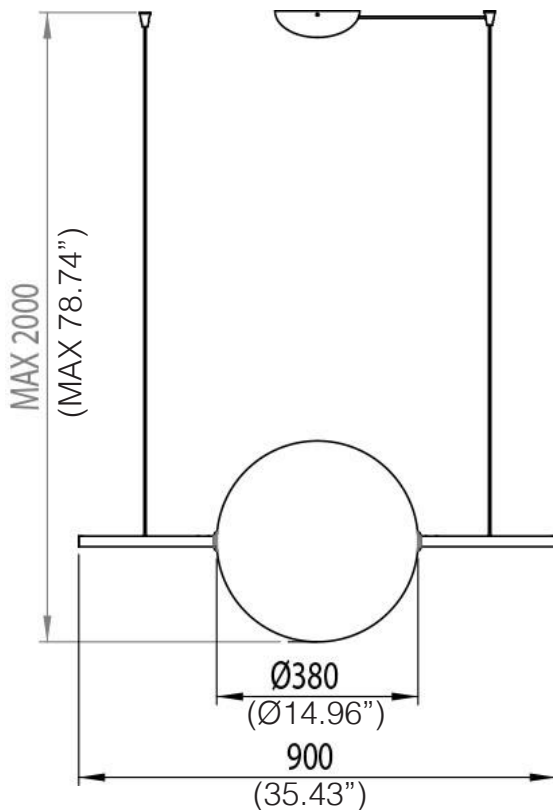
S78282.01 SUSPENSION

TYPE:

PROJECT NAME:



A suggestive fusion of glass and brass, ALMA fits discreetly into contemporary settings, with intense light given off by the dimmable LED light source. The balanced geometry gives a sense of stability lightened by the suspended light spheres. The result is an iconic object with an immaterial aura. ALMA is available in 5 pendant models in brushed brass (code ON) and black finish (code NN).



Type: PENDANT LIGHT

Environment: INDOOR

Material: BRASS - GLASS

Finishing / Color:
BRUSHED BRASS (code ON)
BLACK (code NN)

Lighting Source: LED 13W
2700K - 1620lm - CRI >80

Voltage: 120V

IP PROTECTION: IP20

WEIGHT: 8Kg

Dimmer phase-cut TRIAC-IGBT



SPECIFICATION SHEET

SCANGIFT®

ALMA™

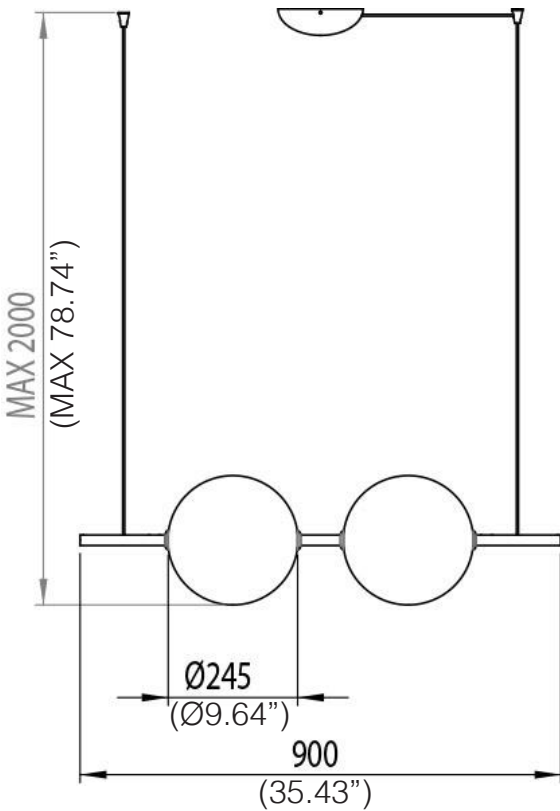
S78282.02 SUSPENSION

TYPE:

PROJECT NAME:



A suggestive fusion of glass and brass, ALMA fits discreetly into contemporary settings, with intense light given off by the dimmable LED light source. The balanced geometry gives a sense of stability lightened by the suspended light spheres. The result is an iconic object with an immaterial aura. ALMA is available in 5 pendant models in brushed brass (code ON) and black finish (code NN).



Type: PENDANT LIGHT

Environment: INDOOR

Material: BRASS - GLASS

Finishing / Color:
BRUSHED BRASS (code ON)
BLACK (code NN)

Lighting Source: LED 17.5W
2700K - 2160lm - CRI >80

Voltage: 120V

IP PROTECTION: IP20

WEIGHT: 9Kg

Dimmer phase-cut TRIAC-IGBT



SPECIFICATION SHEET

SCANGIFT®

ALMA™

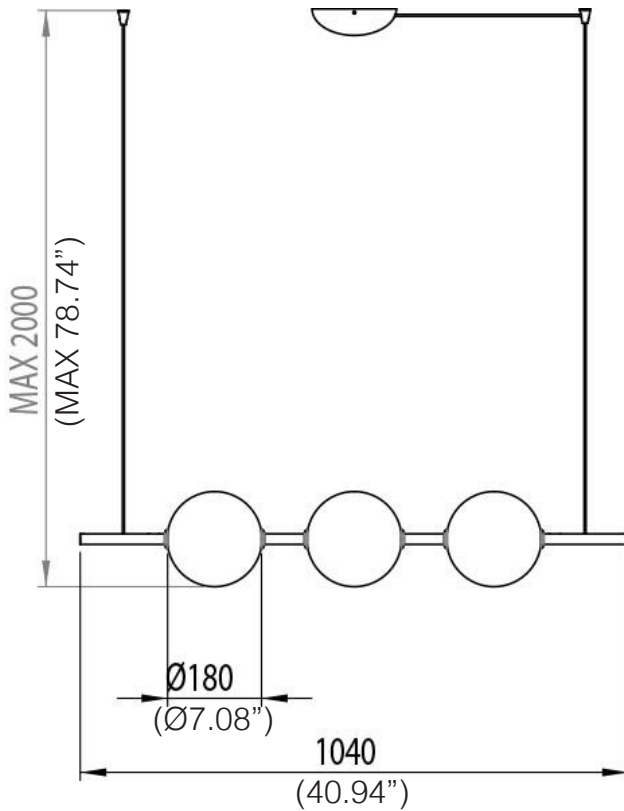
S78282.03 SUSPENSION

TYPE:

PROJECT NAME:



A suggestive fusion of glass and brass, ALMA fits discreetly into contemporary settings, with intense light given off by the dimmable LED light source. The balanced geometry gives a sense of stability lightened by the suspended light spheres. The result is an iconic object with an immaterial aura. ALMA is available in 5 pendant models in brushed brass (code ON) and black finish (code NN).



Type: PENDANT LIGHT

Environment: INDOOR

Material: BRASS - GLASS

Finishing / Color:
BRUSHED BRASS (code ON)
BLACK (code NN)

Lighting Source: LED 13W
2700K - 1620lm - CRI >80

Voltage: 120V

IP PROTECTION: IP20

WEIGHT: 8Kg

Dimmer phase-cut TRIAC-IGBT



SPECIFICATION SHEET

SCANGIFT®

ALMA™

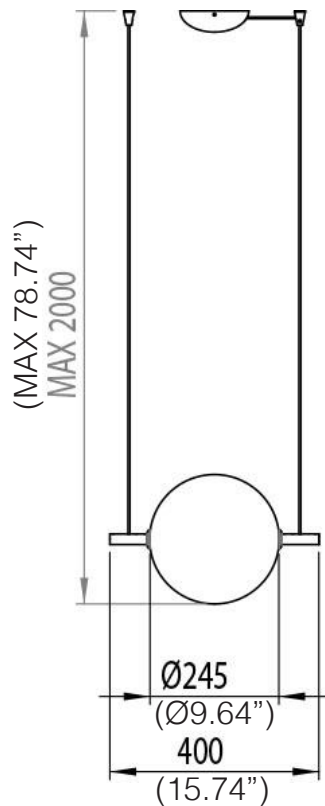
S78282.04 SUSPENSION

TYPE:

PROJECT NAME:



A suggestive fusion of glass and brass, ALMA fits discreetly into contemporary settings, with intense light given off by the dimmable LED light source. The balanced geometry gives a sense of stability lightened by the suspended light spheres. The result is an iconic object with an immaterial aura. ALMA is available in 5 pendant models in brushed brass (code ON) and black finish (code NN).



Type: PENDANT LIGHT

Environment: INDOOR

Material: BRASS - GLASS

Finishing / Color:
BRUSHED BRASS (code ON)
BLACK (code NN)

Lighting Source: LED 9W LED
2700K - 1080lm - CRI >80

Voltage: 120V

IP PROTECTION: IP20

WEIGHT: 6.5Kg

Dimmer phase-cut TRIAC-IGBT



SPECIFICATION SHEET

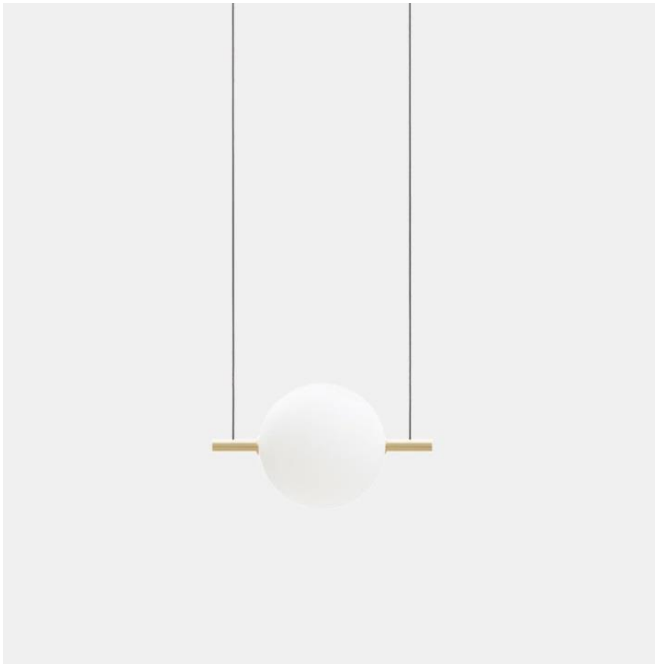
SCANGIFT®

ALMA™

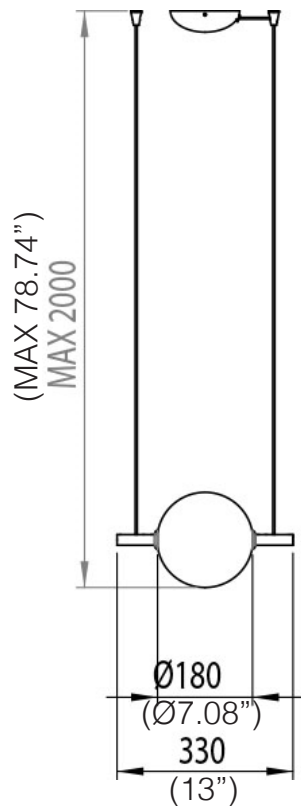
S78282.05 SUSPENSION

TYPE:

PROJECT NAME:



A suggestive fusion of glass and brass, ALMA fits discreetly into contemporary settings, with intense light given off by the dimmable LED light source. The balanced geometry gives a sense of stability lightened by the suspended light spheres. The result is an iconic object with an immaterial aura. ALMA is available in 5 pendant models in brushed brass (code ON) and black finish (code NN).



Type: PENDANT LIGHT

Environment: INDOOR

Material: BRASS - GLASS

Finishing / Color:
BRUSHED BRASS (code ON)
BLACK (code NN)

Lighting Source: LED 9W LED
2700K - 1080lm - CRI >80

Voltage: 120V

IP PROTECTION: IP20

WEIGHT: 4Kg

Dimmer phase-cut TRIAC-IGBT



SPECIFICATION SHEET

SCANGIFT®