

# KHONUS™

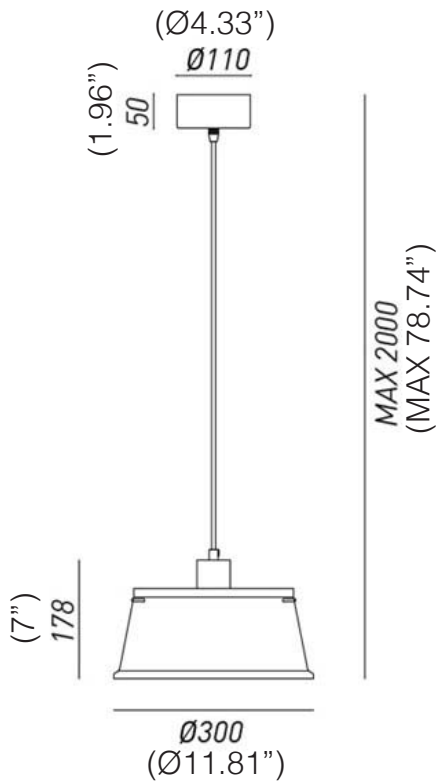
S78256.01 SUSPENSION

**TYPE:**

**PROJECT NAME:**



Simple and linear shapes inspire a functional design. This is khonus: a series of cone shaped lamps made of antique iron, capable of reflecting light both downwards and upwards entirely illuminating the surroundings. Available in three different sizes, can be arranged individually or together enhancing their essence.



**Type:** PENDANT LIGHT

**Environment:** INDOOR

**Material:** IRON

**Finishing / Color:**  
ANTIQUÉ IRON

**Lighting Source:** 1xMax 60W E26

or 1x 15W Retrofit LED E26

**Voltage:** 120V

**IP PROTECTION:** IP20

**WEIGHT:** 3Kg



bulb not included

SPECIFICATION SHEET

SCANGIFT®

WWW.SCANGIFT.COM

# KHONUS™

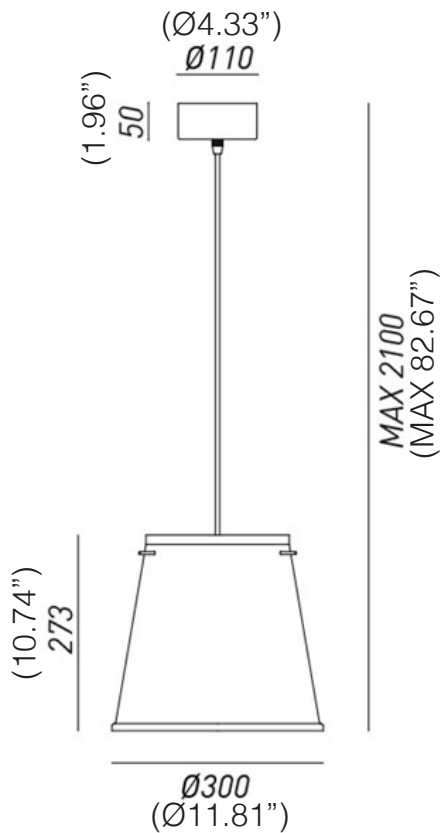
S78256.02 SUSPENSION

**TYPE:**

**PROJECT NAME:**



Simple and linear shapes inspire a functional design. This is khonus: a series of cone shaped lamps made of antique iron, capable of reflecting light both downwards and upwards entirely illuminating the surroundings. Available in three different sizes, can be arranged individually or together enhancing their essence.



**Type:** PENDANT LIGHT

**Environment:** INDOOR

**Material:** IRON

**Finishing / Color:**  
ANTIQUÉ IRON

**Lighting Source:** 1xMax 60W E26

or 1x 15W Retrofit LED E26

**Voltage:** 120V

**IP PROTECTION:** IP20

**WEIGHT:** 3.5Kg



bulb not included

SPECIFICATION SHEET

SCANGIFT®

WWW.SCANGIFT.COM

# KHONUS™

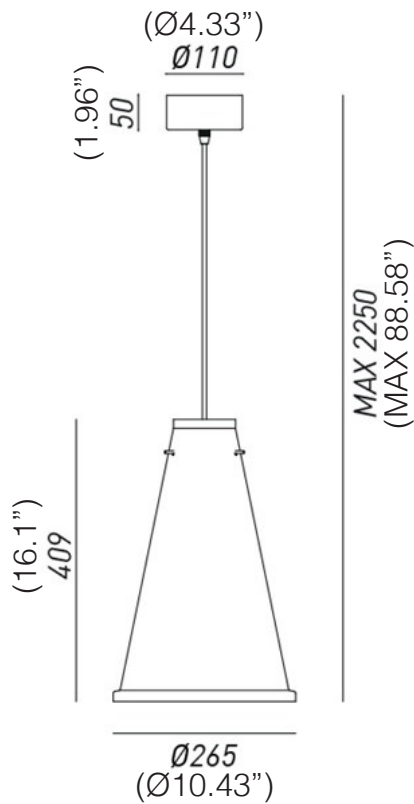
S78256.03 SUSPENSION

**TYPE:**

**PROJECT NAME:**



Simple and linear shapes inspire a functional design. This is khonus: a series of cone shaped lamps made of antique iron, capable of reflecting light both downwards and upwards entirely illuminating the surroundings. Available in three different sizes, can be arranged individually or together enhancing their essence.



**Type:** PENDANT LIGHT

**Environment:** INDOOR

**Material:** IRON

**Finishing / Color:**  
ANTIQUE IRON

**Lighting Source:** 1xMax 60W E26

or 1x 15W Retrofit LED E26

**Voltage:** 120V

**IP PROTECTION:** IP20

**WEIGHT:** 3.5Kg



bulb not included

SPECIFICATION SHEET

SCANGIFT®

WWW.SCANGIFT.COM