

# MOLECOLA™

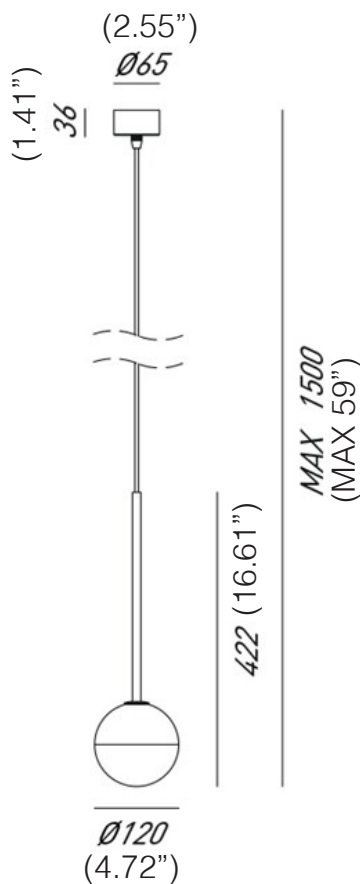
S78275.05 SUSPENSION

**TYPE:**

**PROJECT NAME:**



The Molecola collection of indoor lamps comprises a suspension lamp, floor lamp, ceiling lamp, wall lamp and table lamp. They are available in natural brass (code ONT) or antique-effect brass (code OOT) with transparent and frosted or smoked glass spheres.



**Type:** PENDANT LIGHT

**Environment:** INDOOR

**Material:** BRASS

**Finishing / Color:**  
NATURAL BRASS (Code ONT)  
ANTIQUÉ-EFFECT BRASS (Code OOT)

**Lighting Source:** 1X 5W LED G9

**Voltage:** 120V

**IP PROTECTION:** IP20

**WEIGHT:** 1Kg

Light bulb not included



SPECIFICATION SHEET

SCANGIFT®

# MOLECOLA™

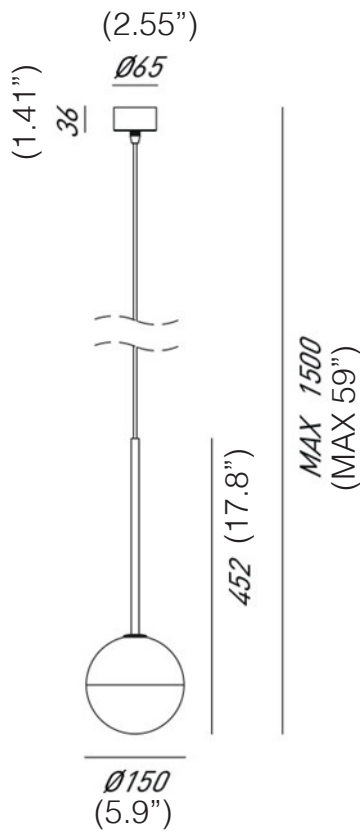
S78275.06 SUSPENSION

**TYPE:**

**PROJECT NAME:**



The Molecola collection of indoor lamps comprises a suspension lamp, floor lamp, ceiling lamp, wall lamp and table lamp. They are available in natural brass (code ONT) or antique-effect brass (code OOT) with transparent and frosted or smoked glass spheres.



**Type:** PENDANT LIGHT

**Environment:** INDOOR

**Material:** BRASS

**Finishing / Color:**  
NATURAL BRASS (Code ONT)  
ANTIQUÉ-EFFECT BRASS (Code OOT)

**Lighting Source:** 1X 5W LED G9

**Voltage:** 120V

**IP PROTECTION:** IP20

**WEIGHT:** 1.5Kg

Light bulb not included



SPECIFICATION SHEET

SCANGIFT®

# MOLECOLA™

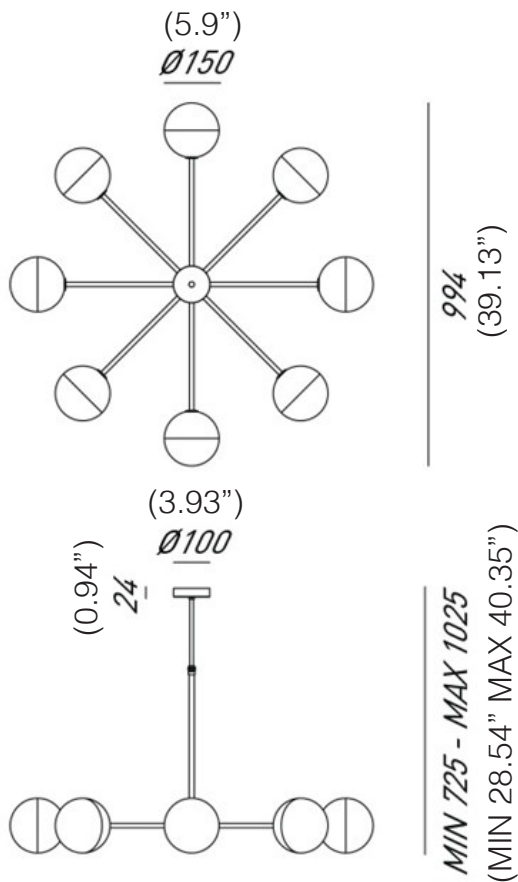
S78275.08 SUSPENSION

**TYPE:**

**PROJECT NAME:**



The Molecola collection of indoor lamps comprises a suspension lamp, floor lamp, ceiling lamp, wall lamp and table lamp. They are available in natural brass (code ONT) or antique-effect brass (code OOT) with transparent and frosted or smoked glass spheres.



**Type:** PENDANT LIGHT

**Environment:** INDOOR

**Material:** BRASS

**Finishing / Color:**  
NATURAL BRASS (Code ONT)  
ANTIQUÉ-EFFECT BRASS (Code OOT)

**Lighting Source:** 8X 5W LED G9

**Voltage:** 120V

**IP PROTECTION:** IP20

**WEIGHT:** 7Kg

Light bulb not included



SPECIFICATION SHEET

SCANGIFT®

# MOLECOLA™

S78275.09 SUSPENSION

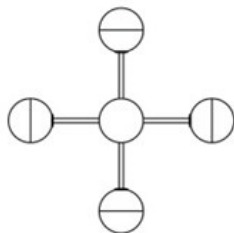
**TYPE:**

**PROJECT NAME:**



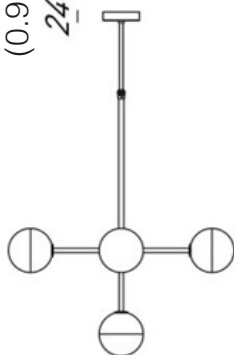
The Molecola collection of indoor lamps comprises a suspension lamp, floor lamp, ceiling lamp, wall lamp and table lamp. They are available in natural brass (code ONT) or antique-effect brass (code OOT) with transparent and frosted or smoked glass spheres.

(4.72")  
Ø120



613  
(24.13")

(0.94")  
24  
Ø100



MIN 930 - MAX 1230  
(MIN 36.6" MAX 48.42")

**Type:** PENDANT LIGHT

**Environment:** INDOOR

**Material:** BRASS

**Finishing / Color:**  
NATURAL BRASS (Code ONT)  
ANTIQUÉ-EFFECT BRASS (Code OOT)

**Lighting Source:** 5XMAX 5W LED G9

**Voltage:** 120V

**IP PROTECTION:** IP20

**WEIGHT:** 4Kg

Light bulb not included



SPECIFICATION SHEET

SCANGIFT®

# MOLECOLA™

S78275.12 SUSPENSION

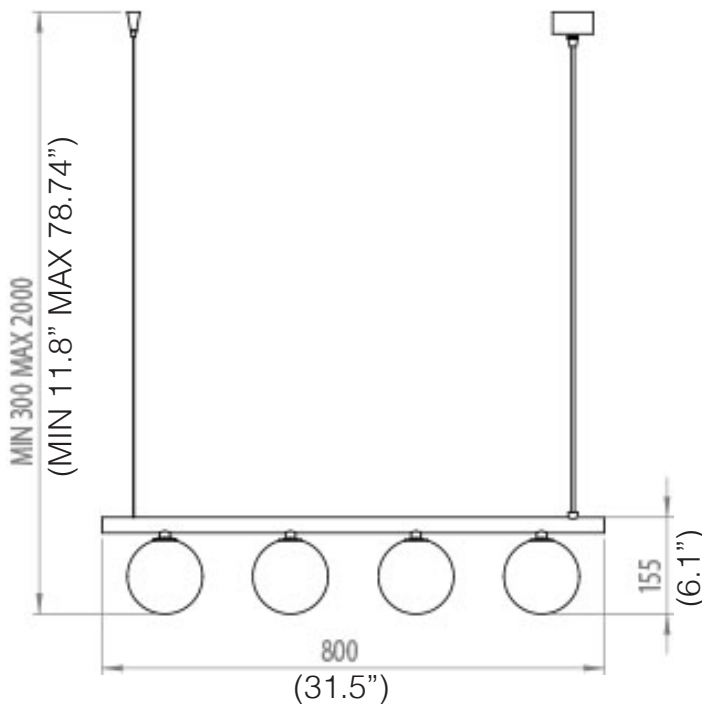
**TYPE:**

**PROJECT NAME:**



The Molecola collection of indoor lamps comprises a suspension lamp, floor lamp, ceiling lamp, wall lamp and table lamp. They are available in natural brass (code ONT) or antique-effect brass (code OOT) with transparent and frosted or smoked glass spheres.

SPECIFICATION SHEET



**Type:** PENDANT LIGHT

**Environment:** INDOOR

**Material:** BRASS

**Finishing / Color:**  
NATURAL BRASS (Code ONT)  
ANTIQUÉ-EFFECT BRASS (Code OOT)

**Lighting Source:** 4x 5W LED G9

**Voltage:** 120V

**IP PROTECTION:** IP20

**WEIGHT:** 4Kg

Light bulb not included



SCANGIFT®

# MOLECOLA™

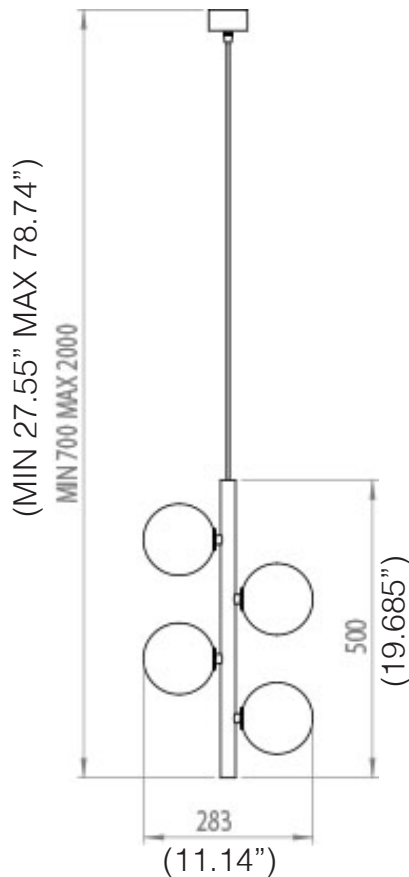
S78275.13 SUSPENSION

**TYPE:**

**PROJECT NAME:**



The Molecola collection of indoor lamps comprises a suspension lamp, floor lamp, ceiling lamp, wall lamp and table lamp. They are available in natural brass (code ONT) or antique-effect brass (code OOT) with transparent and frosted or smoked glass spheres.



**Type:** PENDANT LIGHT

**Environment:** INDOOR

**Material:** BRASS

**Finishing / Color:**  
NATURAL BRASS (Code ONT)  
ANTIQUÉ-EFFECT BRASS (Code OOT)

**Lighting Source:** 4x 5W LED G9

**Voltage:** 120V

**IP PROTECTION:** IP20

**WEIGHT:** 4Kg

Light bulb not included



SPECIFICATION SHEET

SCANGIFT®