

MOLECOLA™

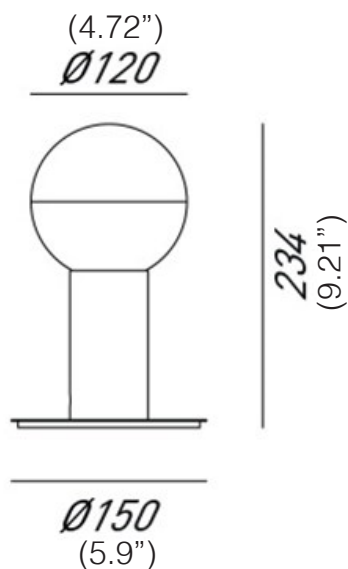
S78275.10 TABLE LAMP

TYPE:

PROJECT NAME:



The Molecola collection of indoor lamps comprises a suspension lamp, floor lamp, ceiling lamp, wall lamp and table lamp. They are available in natural brass (code ONT) or antique-effect brass (code OOT) with transparent and frosted or smoked glass spheres.



Type: TABLE LIGHT

Environment: INDOOR

Material: BRASS

Finishing / Color:
NATURAL BRASS (Code ONT)
ANTIQUÉ-EFFECT BRASS (Code OOT)

Lighting Source: 1X 5W LED G9

Voltage: 120V

IP PROTECTION: IP20

WEIGHT: 8Kg

Light bulb not included



SPECIFICATION SHEET

SCANGIFT®

WWW.SCANGIFT.COM
Last updated: 01/13/22