

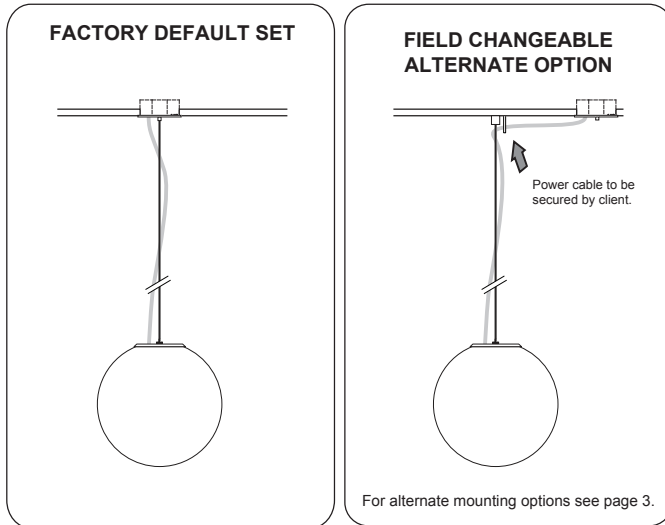
KALISPERA

INSTALLATION INSTRUCTIONS

TYPE:

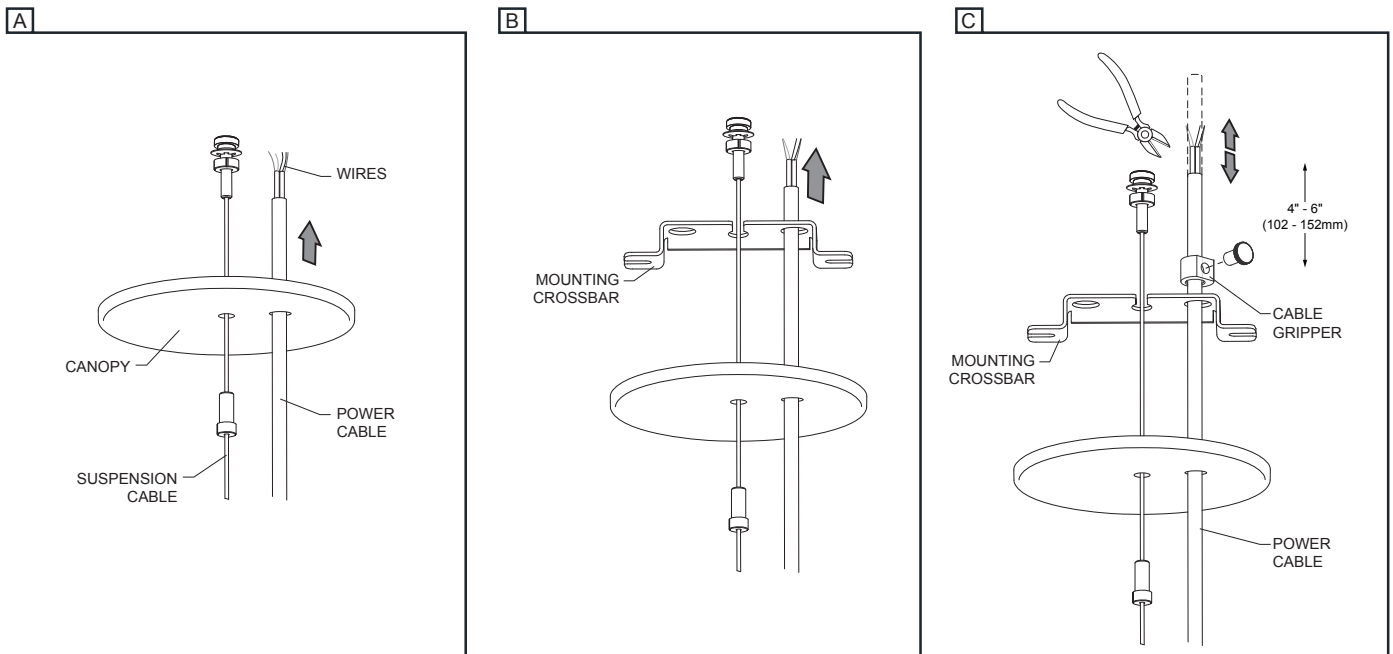
PROJECT NAME:

IMPORTANT - READ CAREFULLY BEFORE INSTALLING FIXTURE. RETAIN THESE INSTRUCTIONS FOR FUTURE REFERENCE. THIS PRODUCT MUST BE INSTALLED IN ACCORDANCE WITH THE NATIONAL ELECTRICAL CODE AND ALL APPLICABLE LOCAL CODES, BY A PERSON FAMILIAR WITH THE CONSTRUCTION AND OPERATION OF THE PRODUCT, AND THE HAZARDS INVOLVED. PROPER GROUNDING IS REQUIRED FOR SAFETY.



INSTALLATION

- A- INTRODUCE POWER CABLE THROUGH CANOPY.
- B- PASS IT THROUGH THE MOUNTING CROSSBAR HOLE.
- C- ADJUST THE LENGTH OF THE POWER CORD AND TIGHTEN IT USING CABLE GRIPPER TO LOCK POSITION. LEAVE 4 TO 6" ABOVE THE MOUNTING CROSSBAR (FOR CONNECTIONS) AND CUT THE CORD SURPLUS.



SPECIFICATION SHEET

SCANGIFT®

WWW.SCANGIFT.COM

KALISPERA

INSTALLATION INSTRUCTIONS

TYPE:

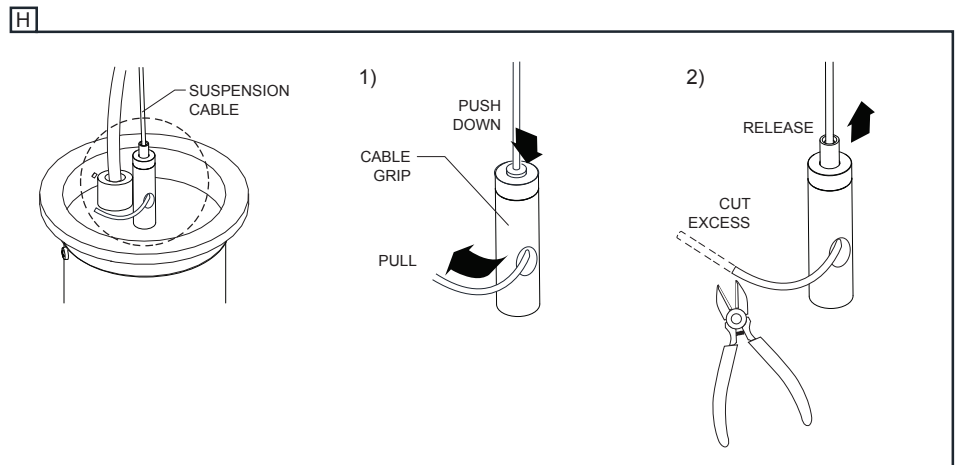
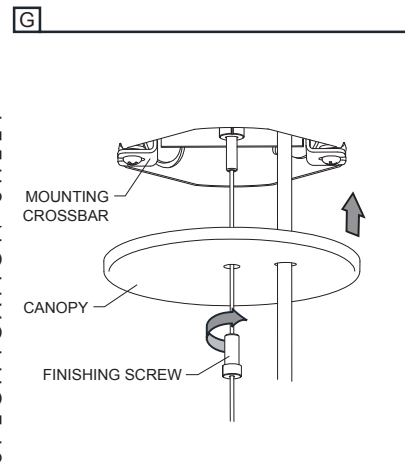
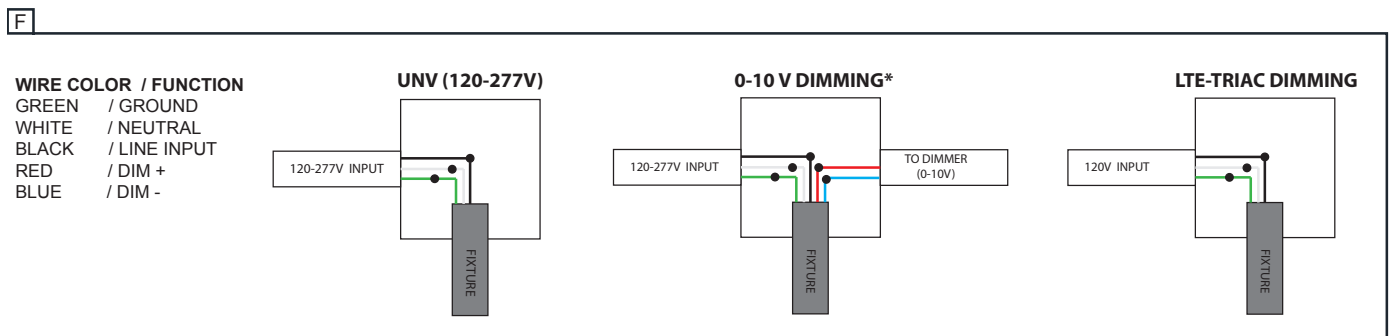
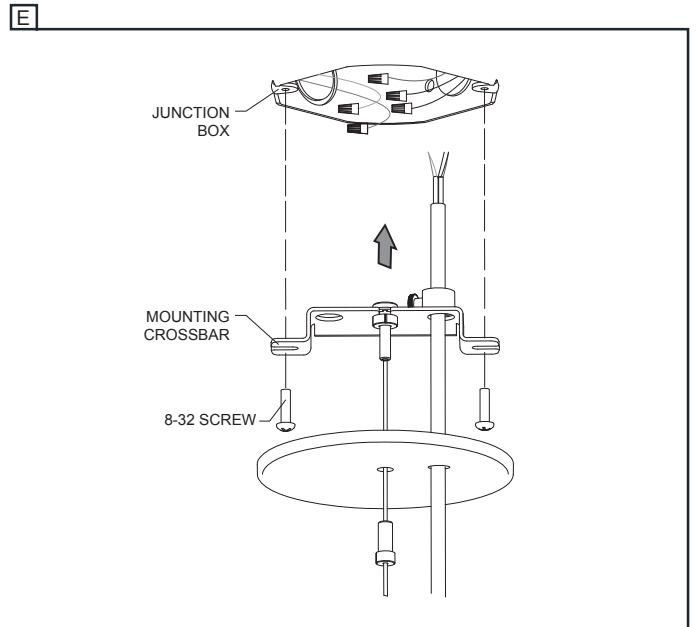
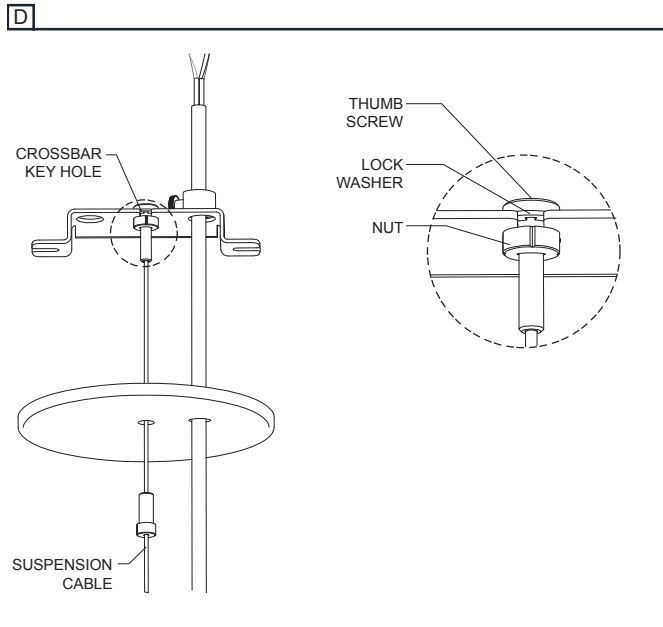
PROJECT NAME:

D- PASS THUMB SCREW INTO THE MOUNTING CROSSBAR KEY HOLE WITH LOCK WASHER ON TOP. HOLD SUSPENSION CABLE DOWN IN POSITION AND SECURE WITH THE PROVIDED NUT.

E- RAISE THE MOUNTING CROSSBAR AGAINST THE CEILING AND FASTEN IT TO THE JUNCTION BOX USING 8-32 MOUNTING SCREWS.
 F- MAKE ALL NECESSARY WIRE CONNECTIONS. *FOR OPTIONAL DIMMING 0-10V: WIRES MUST BE RUN THROUGH A SEPARATE KNOCK-OUT HOLE WHEN CONNECTING DIMMING CONTROLLER.

G- PLACE THE CANOPY OVER THE MOUNTING CROSSBAR. SECURE ASSEMBLY IN PLACE USING FINISHING SCREW.

H- ADJUST THE LENGTH OF THE SUSPENSION CABLE AND CUT THE SURPLUS.



SPECIFICATION SHEET

KALISPERA

INSTALLATION INSTRUCTIONS

TYPE:

PROJECT NAME:

ALTERNATE CANOPY INSTALLATION

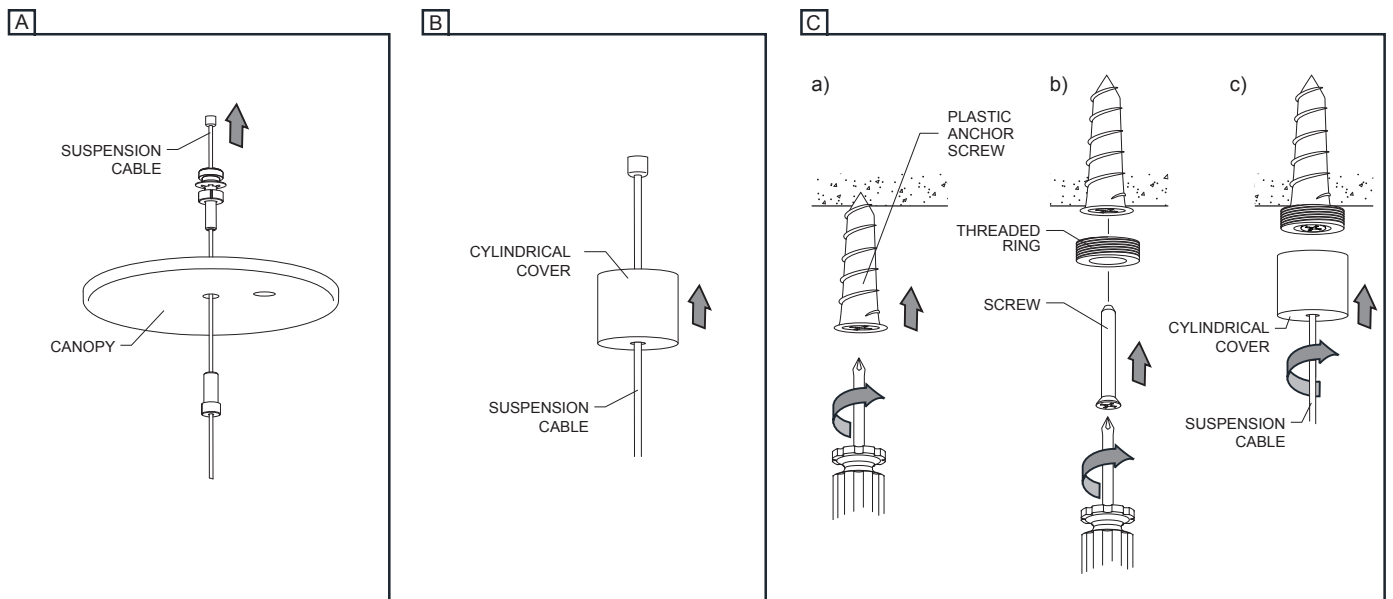
IN ORDER TO SEPARATE SUSPENSION CABLE FROM CANOPY FOLLOW THE INSTRUCTIONS:

A- REMOVE SUSPENSION CABLE FROM CANOPY ASSEMBLY.

B- TAKE THE SUSPENSION CABLE AND PASS IT THROUGH THE CYLINDRICAL COVER SUPPLIED WITH CANOPY KIT.

C- INSTALL SUSPENSION CABLE FOLLOWING THESE STEPS:

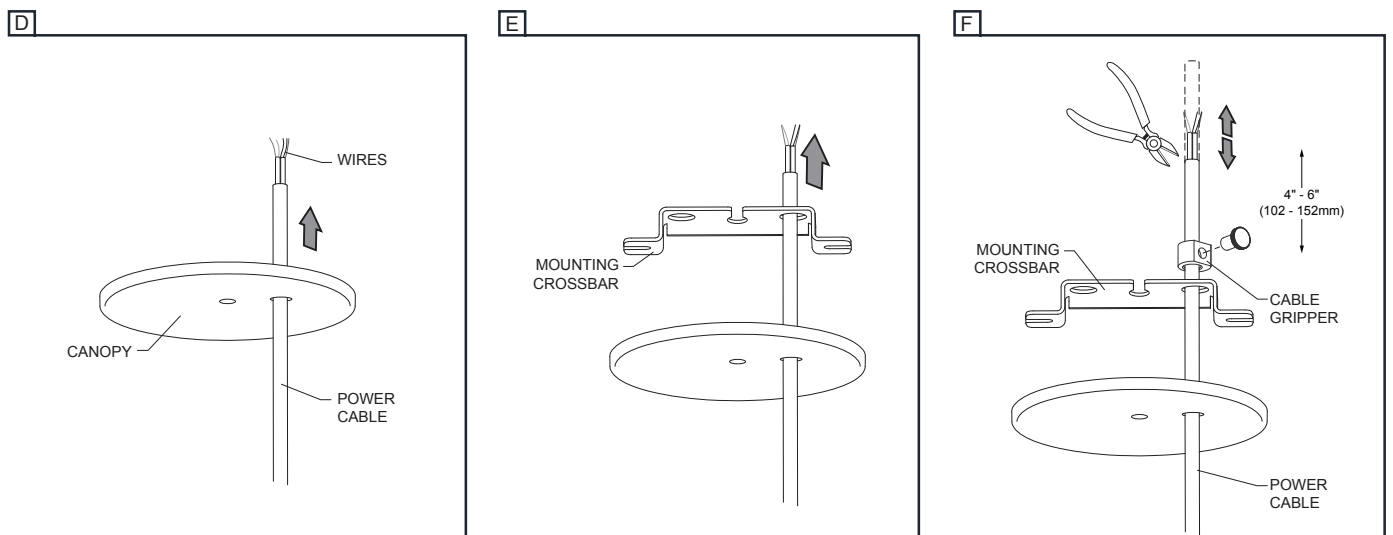
- PLACE AND SCREW SELF-DRILLING (NO HOLE NEEDED) PLASTIC ANCHOR SCREW IN DRYWALL CEILING (MINIMUM 1/2" THICKNESS) OR IN HARDWOOD (NO ANCHOR NEEDED) AT THE PROPER POSITION.
- PASS SCREW THROUGH WASHER AND THREADED RING AND SECURE SCREW INTO PRE INSTALLED PLASTIC ANCHOR SCREW.
- FASTEN CYLINDRICAL COVER TO THREADED RING.



D- INTRODUCE POWER CABLE THROUGH CANOPY.

E- PASS IT THROUGH THE MOUNTING CROSSBAR HOLE.

F- ADJUST THE LENGTH OF THE POWER CORD AND TIGHTEN IT USING CABLE GRIPPER TO LOCK POSITION. LEAVE 4 TO 6" ABOVE THE MOUNTING CROSSBAR (FOR CONNECTIONS) AND CUT THE CORD SURPLUS.



SPECIFICATION SHEET

SCANGIFT®

WWW.SCANGIFT.COM

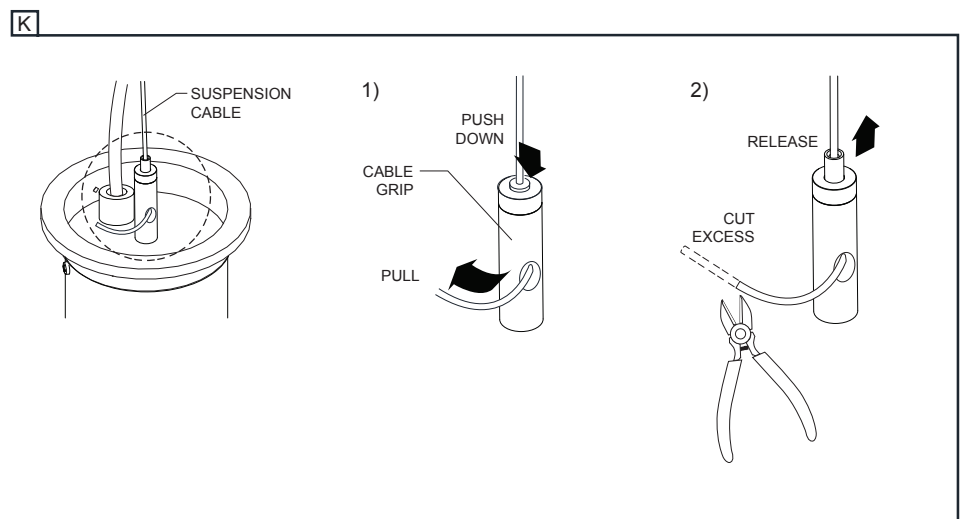
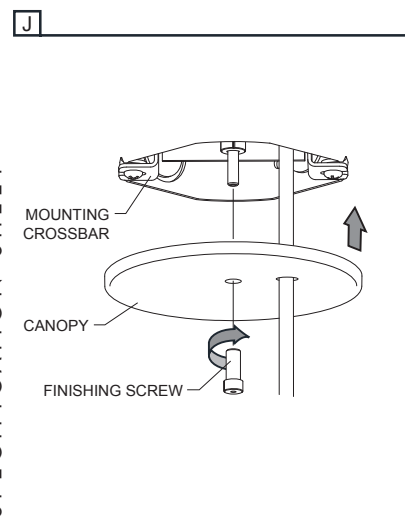
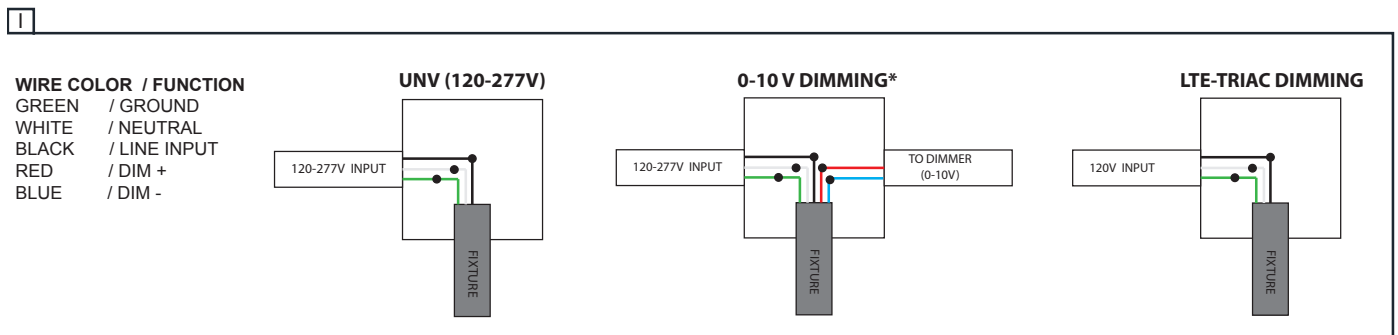
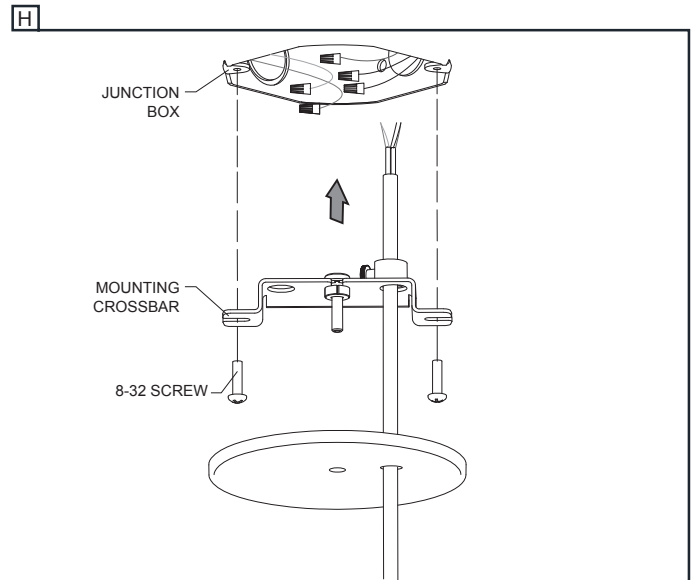
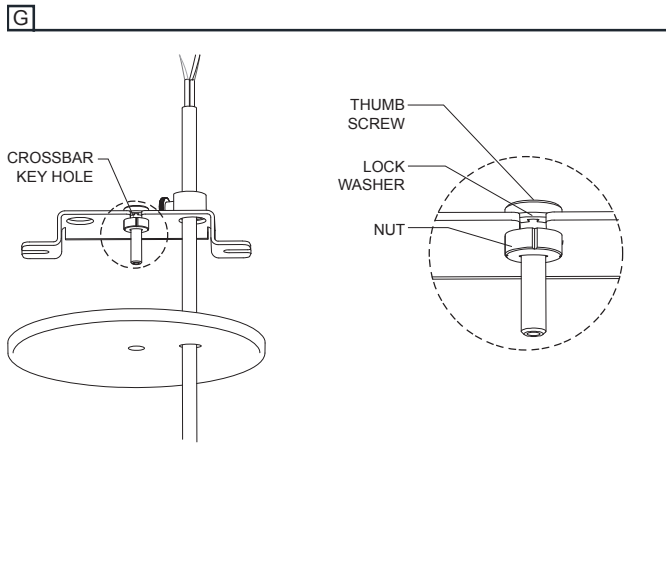
KALISPERA

INSTALLATION INSTRUCTIONS

TYPE:

PROJECT NAME:

- G- PASS THUMB SCREW INTO THE MOUNTING CROSSBAR KEY HOLE WITH LOCK WASHER ON TOP.
 H- RAISE THE MOUNTING CROSSBAR AGAINST THE CEILING AND FASTEN IT TO THE JUNCTION BOX USING 8-32 MOUNTING SCREWS.
 I- MAKE ALL NECESSARY WIRE CONNECTIONS. *FOR OPTIONAL DIMMING 0-10V: WIRES MUST BE RUN THROUGH A SEPARATE KNOCK-OUT HOLE WHEN CONNECTING DIMMING CONTROLLER.
 J- PLACE THE CANOPY OVER THE MOUNTING CROSSBAR. SECURE ASSEMBLY IN PLACE USING FINISHING SCREW.
 K- ADJUST THE LENGTH OF THE SUSPENSION CABLE AND CUT THE SURPLUS.



SPECIFICATION SHEET