

# SAINT-TROPEZ™

S78Z2C1 BOLLARD

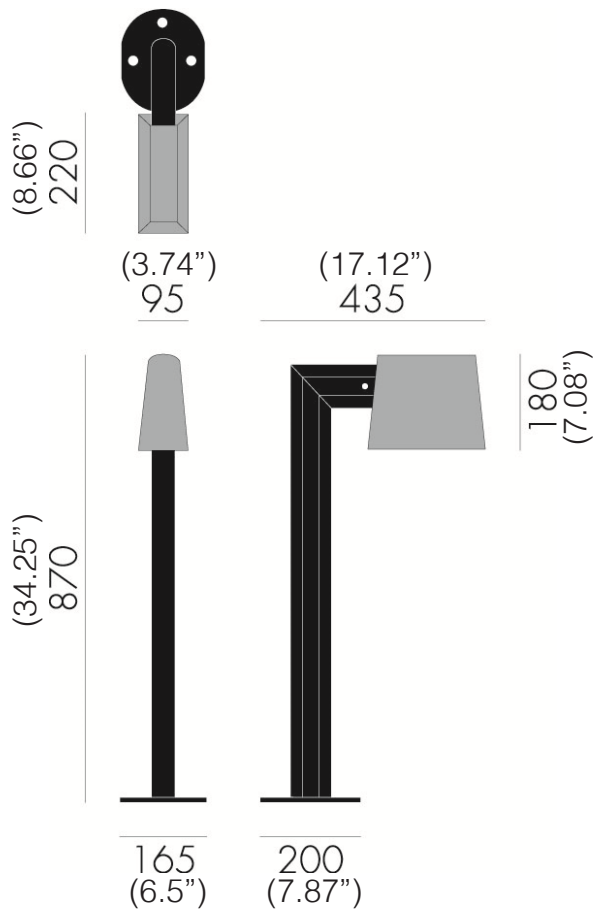
**TYPE:**

**PROJECT NAME:**



Saint-Tropez is a collection of classy and versatile lamps. The idea conveyed by this line is to create an outdoor environment that completely envelops those who live there. The products are characterised by a very strong visual impact: the shape is designed so the light shines downward, with a totally environmentally-friendly approach. The delicate and non-invasive balance between the shape and the light allows this lamp to be placed in outdoor spaces without upsetting the harmony of nature but rather defining it

SPECIFICATION SHEET



**Type:** BOLLARD

**Environment:** OUTDOOR

**Material:** PAINTED METAL

**Finishing / Color:**  
ANTIQUE BROWN

**Lighting Source:**  
1xMAX 23W E26  
or  
Integrated LED 20W 3000K

**Voltage:** 120V

**IP PROTECTION:** IP65

**WEIGHT:** 7Kg

E26 bulb not included



SCANGIFT®

# SAINT-TROPEZ™

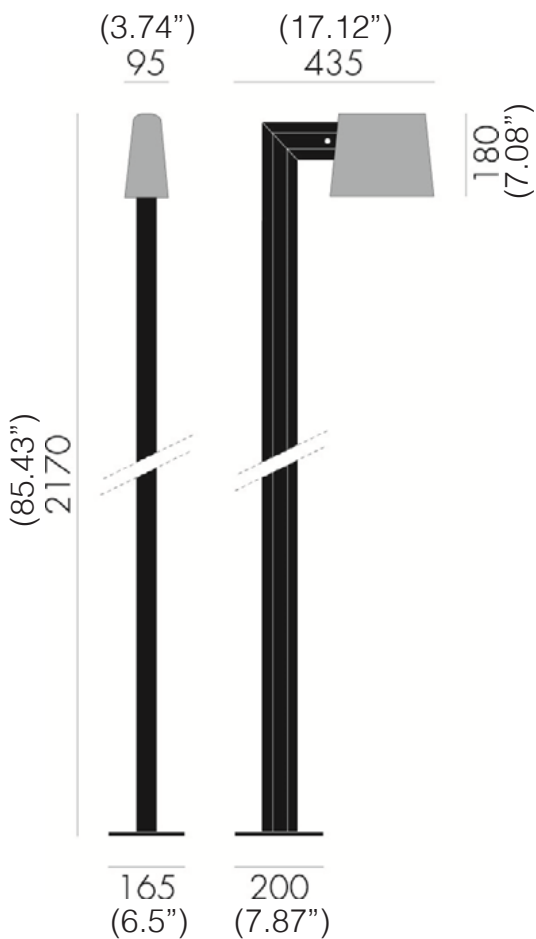
S78Z3C1 BOLLARD

**TYPE:**

**PROJECT NAME:**



Saint-Tropez is a collection of classy and versatile lamps. The idea conveyed by this line is to create an outdoor environment that completely envelops those who live there. The products are characterised by a very strong visual impact: the shape is designed so the light shines downward, with a totally environmentally-friendly approach. The delicate and non-invasive balance between the shape and the light allows this lamp to be placed in outdoor spaces without upsetting the harmony of nature but rather defining it



**Type:** BOLLARD

**Environment:** OUTDOOR

**Material:** PAINTED METAL

**Finishing / Color:**  
ANTIQUÉ BROWN

**Lighting Source:**  
1xMAX 23W E26  
or  
Integrated LED 30W 3000K

**Voltage:** 120V

**IP PROTECTION:** IP65

**WEIGHT:** 14Kg

E26 bulb not included



SPECIFICATION SHEET

SCANGIFT®