

BANANO™

FLOOR

TYPE:

PROJECT NAME:



SPECIFICATION SHEET

Banano is the first proposal of an articulated series of collections, 'Nature Light System', inspired by nature: a true lighting sculpture made by recyclable materials, steel and fibreglass. Flowing curves, delicate lines recreate the natural grace of the leaf and convey a sense of organic harmony and timeless beauty.

SCANGIFT®

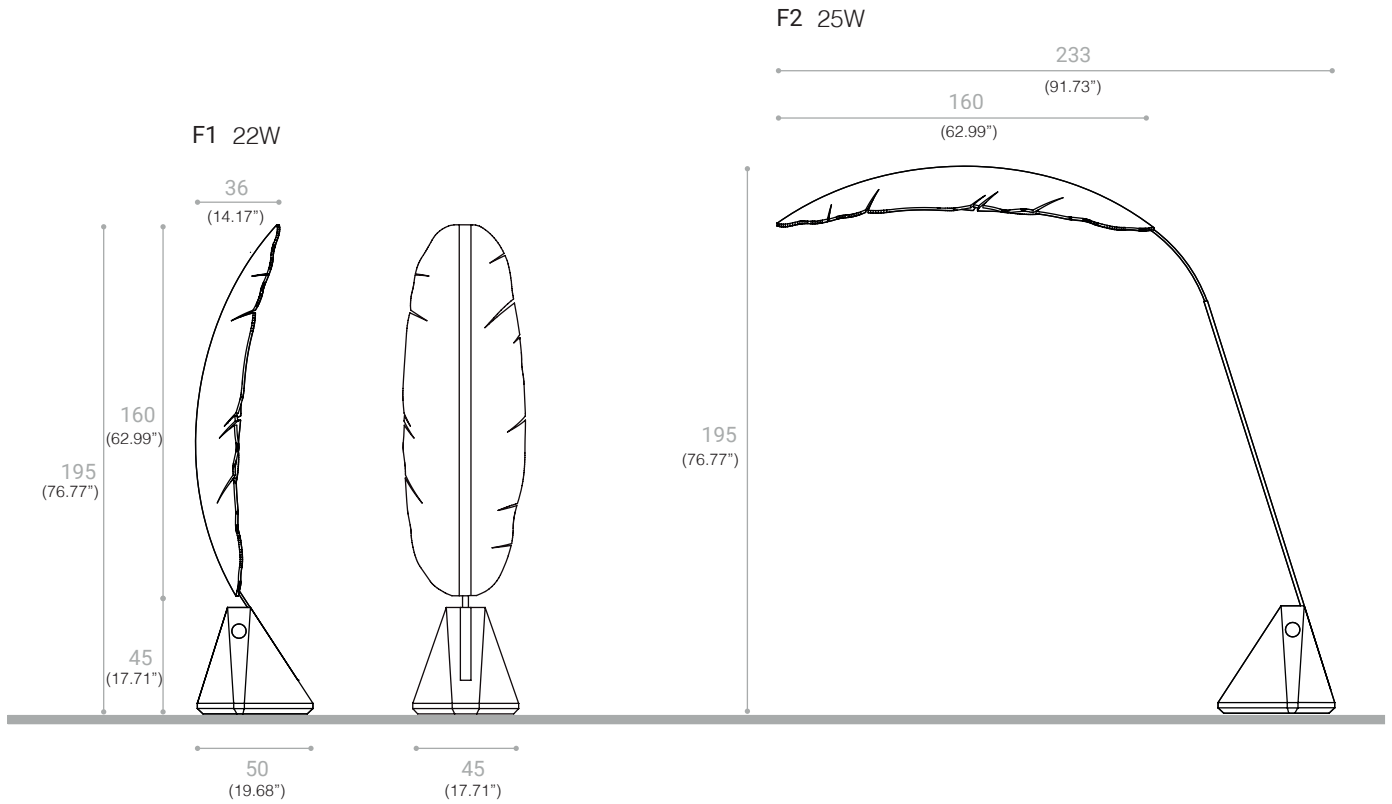
WWW.SCANGIFT.COM
Last updated: 01/14/25

BANANO™

FLOOR

TYPE:

PROJECT NAME:



- F1 LED 2700K 22W 24V
- F2 LED 2700K 25W 24V

FINISHES



Dimmer with remote control included

SHADE:
FIBERGLASS

ARM STRUCTURE:
BRONZE
STAINLESS STEEL

BASE:
CONCRETE



SPECIFICATION SHEET