

MIAMI

TYPE:

PROJECT NAME:

design Giordana Arcesilai 2007

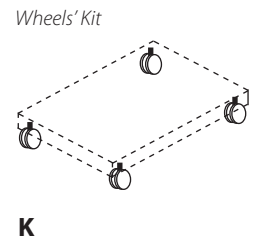
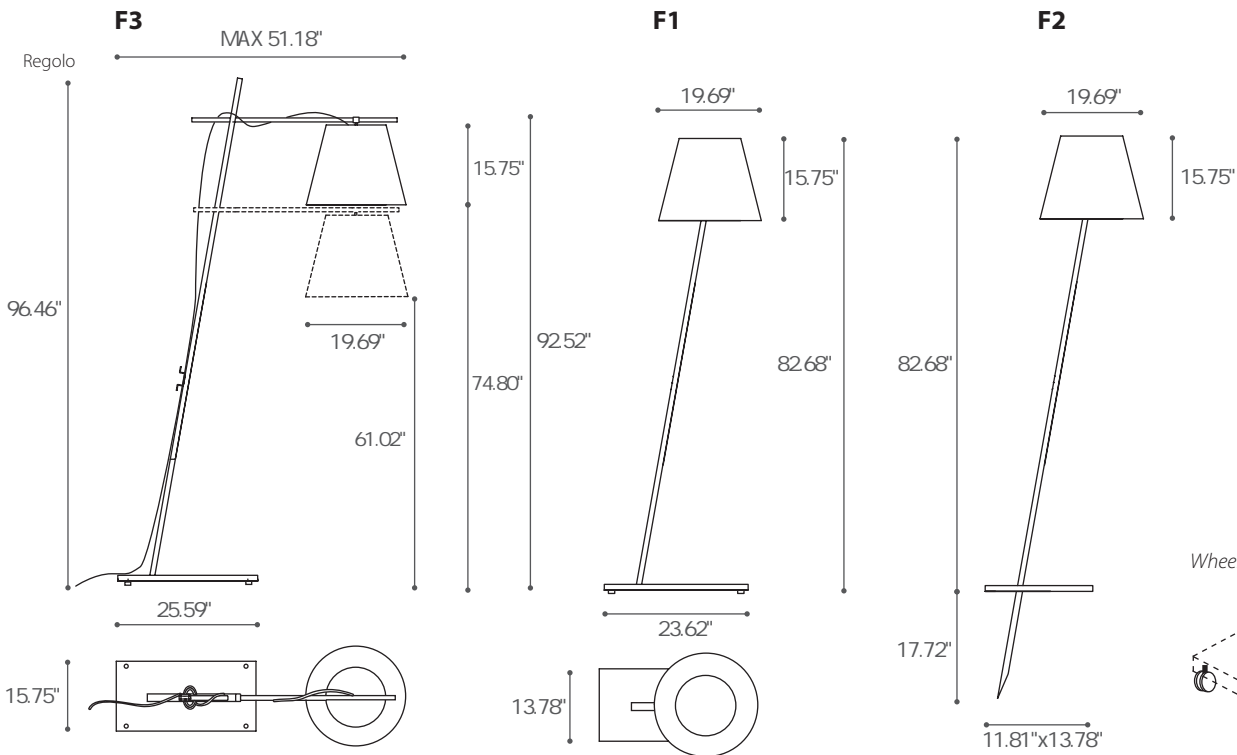
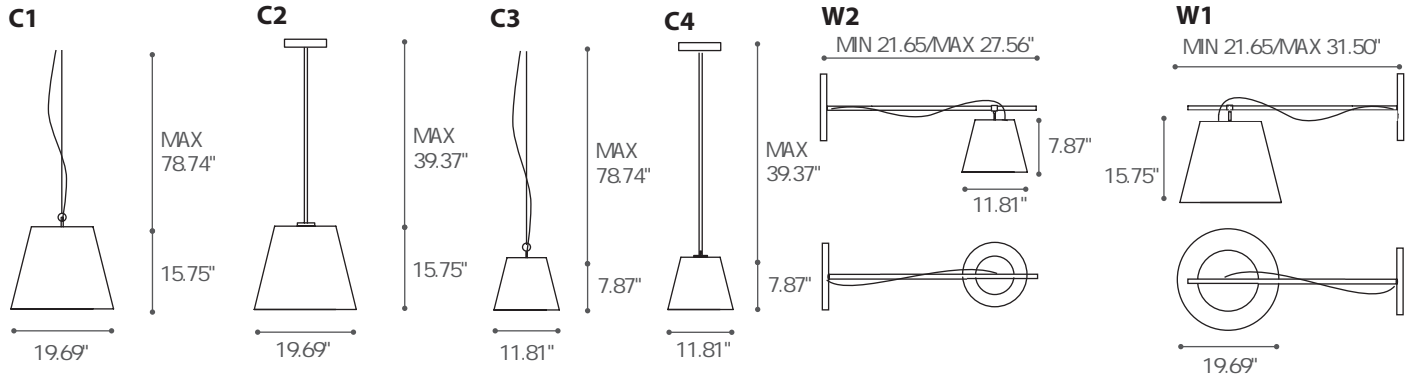
Fiberglass shader lamp collection, which is enriched with a new surfacial structure

Finishes: brass

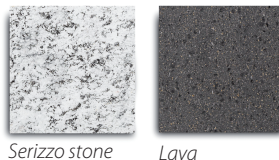
Bases in "Serizzo" stone and lava/ Warm white fiberglass shader

Materials: brass or inox steel

Light: LED E26



Base's materials



LED E26 110/120V



SPECIFICATION SHEET

